



# LAKESIDE FLOOD SOLUTIONS

## LAKESIDE DEMOUNTABLE ALUMINIUM FLOOD BARRIER



## PRODUCT DATA SHEET



ENVIRONMENT  
AGENCY

Approved for use on EA 2018 Framework





**LAKESIDE**  
FLOOD SOLUTIONS

## LFS Demountable Aluminium Flood Barrier

The UK's Leading Flood Barrier System.  
Bespoke ground U channel.  
Tested to 2.1m H, zero leakage.

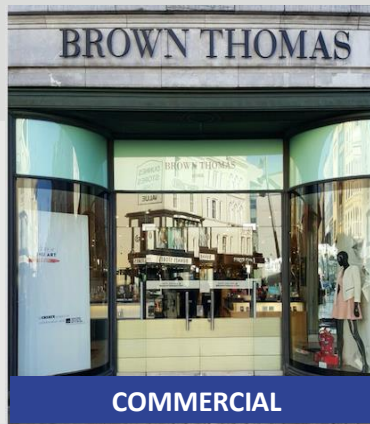
### Specification:

- Anodised Aluminium 6063 T5 Side & Middle Posts with EPDM Waterproof Seals
- Anodised Aluminium 6063 T5 Barrier Profiles with EVA Waterproof Seals
- Stainless Steel S.S. 304 Ground U Channel with EPDM Waterproof Seal
- Anodised Aluminium 6063 T5 Ground U Channel Cover Plate & Triangle Pressing Wedge
- Tested to British Standard BS 851188

## PRODUCT DATA SHEET

### Key features:

- Robust aluminium yet lightweight; easy to install and store away by one person.
- Extremely user-friendly; no tools required for self-installation within seconds.
- Discreet ground U channel and bespoke interlocking system ensures continuous watertight seal.
- Anodized finish, maintenance-free.
- Tested up to 2.1m high with zero leakage, proven to work in real-life floods.
- Option to use system without Ground Channel
- Suitable for all types of premises: residential, commercial, industrial, utilities and infrastructure.



01792 561117

[sales@lakesidefloodsolutions.co.uk](mailto:sales@lakesidefloodsolutions.co.uk)

Bruce Road, Fforestfach Industrial Estate, Swansea SA5 4HS



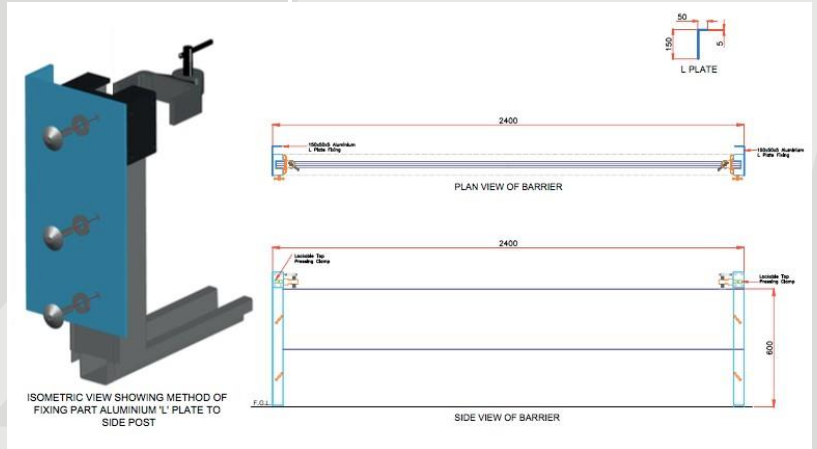
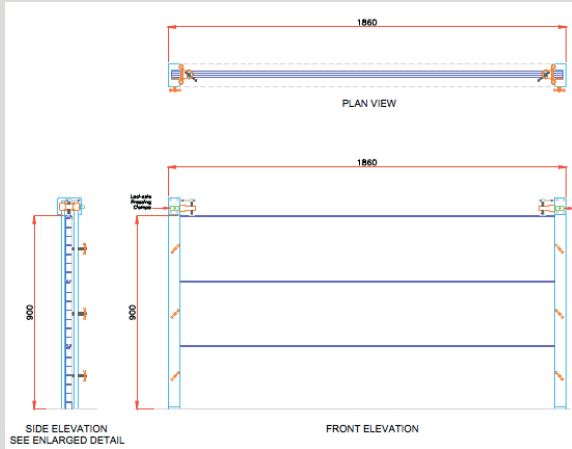
[www.lakesidefloodsolutions.co.uk](http://www.lakesidefloodsolutions.co.uk)



# LAKE SIDE FLOOD SOLUTIONS

## PRODUCT DATA SHEET

GA Drawings and 3D Impressions available upon request



### Bespoke Barrier Accessories



**LOCKABLE TOP CLAMPS**



**SIDE POST COVER PLATES**



**POWER COATING**



**STORAGE RACKING UNIT**



**STORAGE RACKING UNIT**



**STOCK ITEMISATION**



01792 561117  
sales@lakesidefloodsolutions.co.uk  
Bruce Road, Fforestfach Industrial Estate, Swansea SA5 4HS



www.lakesidefloodsolutions.co.uk